

# Plug-in switching amplifier

**RE 30262/06.05**  
Replaces: 07.99

1/4

**Type VT-SSV-1**

Series 2X



H 6138\_d

## Table of contents

Contents	Page
Features	1
Ordering code	2
Block circuit diagram / pin allocation	2
Technical data	3
Unit dimensions	4
Project / maintenance instructions / additional information	4

## Features

- Suitable for control of switching valves with direct current solenoid operation through signals with low control power
- Activation can be carried out directly with the switch output signals of an open loop control
- Output with constant short circuit protection
- Status indication of switching condition with LED

Information on available spare parts:  
[www.boschrexroth.com/spc](http://www.boschrexroth.com/spc)

## Ordering code

VT-SSV-1 -2X/ \*

Plug-in switching amplifier

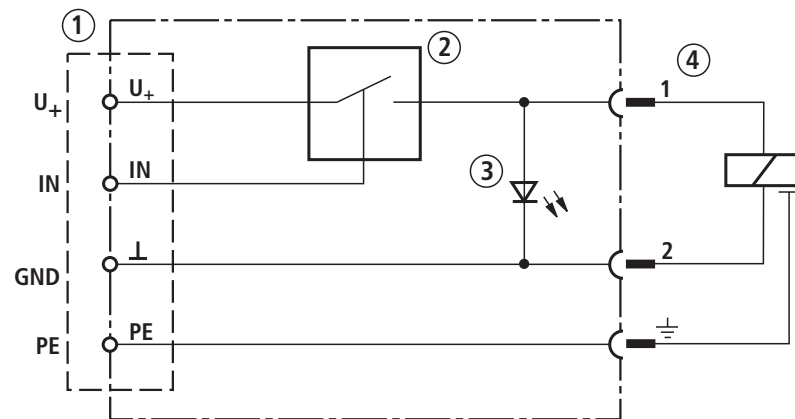
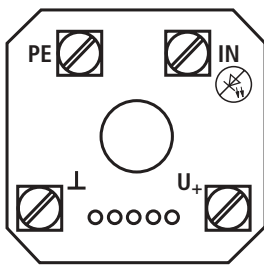
Series 20 bis 29

(20 to 29: technical data and terminal connection unchanged)

= 2X

Further details in clear text

## Block circuit diagram / pin allocation



Operating voltage on terminal „U<sub>+</sub>“ (24 V) and „L“ (GND)

Control voltage on terminal „IN“ and „L“ (GND)

Protective ground on terminal „PE“

- 1 Connecting terminals
- 2 Electronic switch
- 3 LED for status indication
- 4 Solenoid contacts

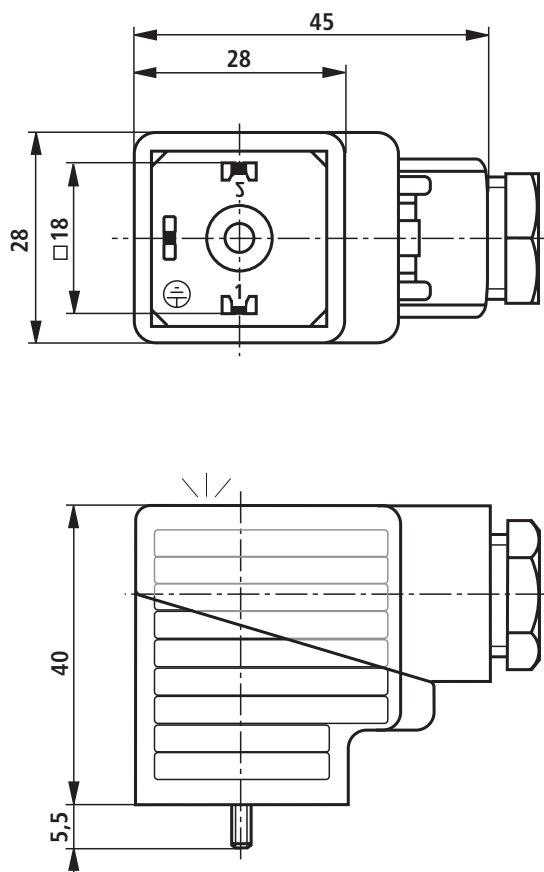
## Technical Data (For application outside these parameters please consult us!)

Operating voltage	$U_+$	24 VDC +20 % -10 % (residual ripple < 15 %)
Output current	$I_{\max}$	2 A (at 100 % duty)
Output voltage	$U_{\max}$	$U_+ - 0.2 \text{ V}$ (typical at 2 A)
Control voltage:		
-ON	$U_{\text{IN}}$	10 to 35 VDC
-OFF	$U_{\text{IN}}$	0 to 6 VDC
Control current	$I_{\text{IN}}$	$\leq 3 \text{ mA}$
Switching frequency	$f_{\max}$	approx. 4 Hz
Cable connection:		Screw-type terminals max. 1.5 mm <sup>2</sup>
-Fitting		Pg 11
-External cable diameter	$d$	4 to max. 10 mm
Solenoid connection		Plug-in connector 2-pin + PE, EN 175301-803 (Z5L)
Connection cable (recommendation)		H05VV-F 4G1,5 (not included in delivery)
Permissible operating temperature range	$\vartheta$	-25 to +70 °C
Storage temperature range	$\vartheta$	-25 to +70 °C
Weight	$m$	ca. 45 g

### Note:

For details regarding **environmental simulation test** for the areas of EMC (electro-magnetic compatibility), climate and mechanical loading see RE 30 262-U (explanation regarding environmental compatibility).

## Unit dimensions (dimensions in mm)



## Project / maintenance instructions / additional information

- The amplifier is integrated into a plug-in connector Z5L to EN 175301-803 with transparent cover. For the operation a terminal lead with 3 wires is necessary. With a lead with four wires the protective conductor can also be connected.  
Cable recommendation: H05VV-F 4G1,5
- On mounting the housing can be rotated by 90° steps.
- When overloading or short circuit occurs the output is switched off. Before switching back on the control signal  $U_{IN}$  must be switched to "OFF" ( $\leq 6\text{ V}$ ).
- The switching off times may be doubled or trebled because of the limitation of the negative switching off voltage peak.