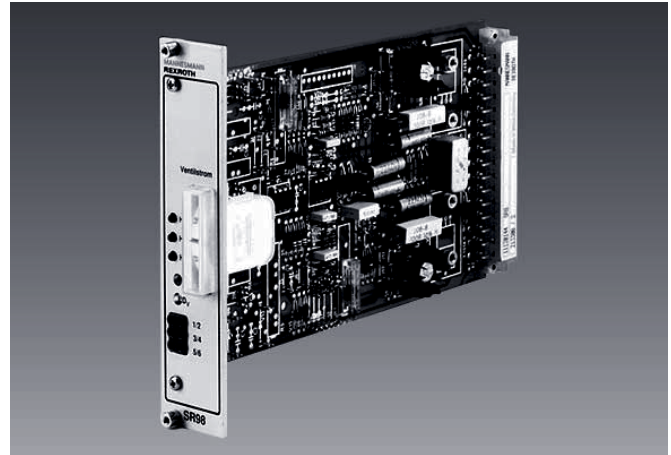


RE 57 852/09.02

Replaces: 10.93

**Electrical amplifier SR 98 for servo valves
with mechanical feedback
Type VTS 0617**

Series 1X



H/A 3849/93

Type VTS 0617-1X

Overview of contents

Contents	Page
Ordering details	1
Engineering / maintenance guidelines	1
Technical data	1 and 2
Block circuit diagram / connection allocation	2
Unit dimensions	2

The SR98 amplifier is used to control 4WS2EM...(NS6 and16) servo valves in testing technology.
The command value is passed directly to the output stage. The output stage is matched to the requirements of the valve. The measuring instrument which is built into the front plate shows the current which is being passed to the servo valve; 100% corresponds to 100 mA.

Ordering details

VTS 0617		-1X /	*
SR 98 amplifier for servo valves used in testing technology			Further details in clear text
Series 10 to 19 (10 to 19: unchanged technical data and connection allocation)	= 1X		4WS2EM6-1X = Valve 4WS2EM16-2X = type code

Engineering / maintenance guidelines

- The amplifier card may only be inserted or removed when the supply is switched off !
- Only carry out measurements with $R_i > 100 \text{ k}\Omega$ measuring instruments !

Technical data (for applications outside these parameters, please consult us!)

Supply voltage	U	+ 15 V (\pm UM)
Current consumption	I	< 150 mA
Input voltage	U	0 to \pm 10V
Output voltage	I_{max}	\pm 100 mA
Dither	f_{SS}	400 Hz/5 mA \leq 0.1%



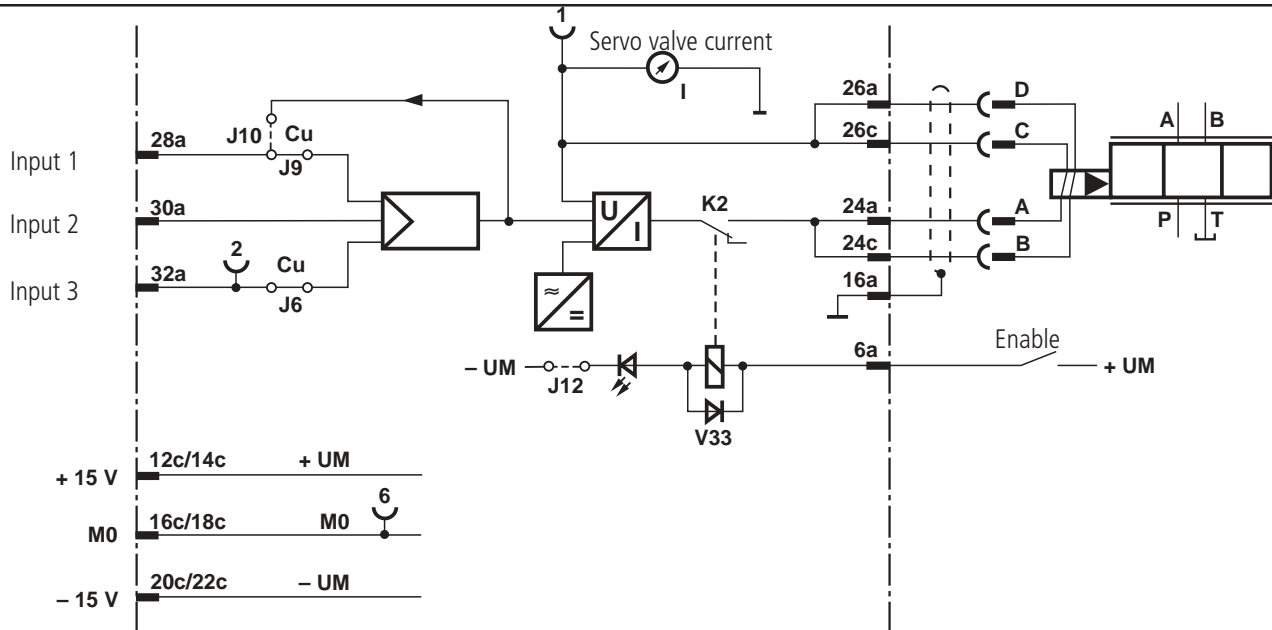
© 2003
by Bosch Rexroth AG, Industrial Hydraulics, D-97813 Lohr am Main

All rights reserved. No part of this document may be reproduced or stored, processed, duplicated or circulated using electronic systems, in any form or by means, without the prior written authorisation of Bosch Rexroth AG. In the event of contravention of the above provisions, the contravening party is obliged to pay compensation.

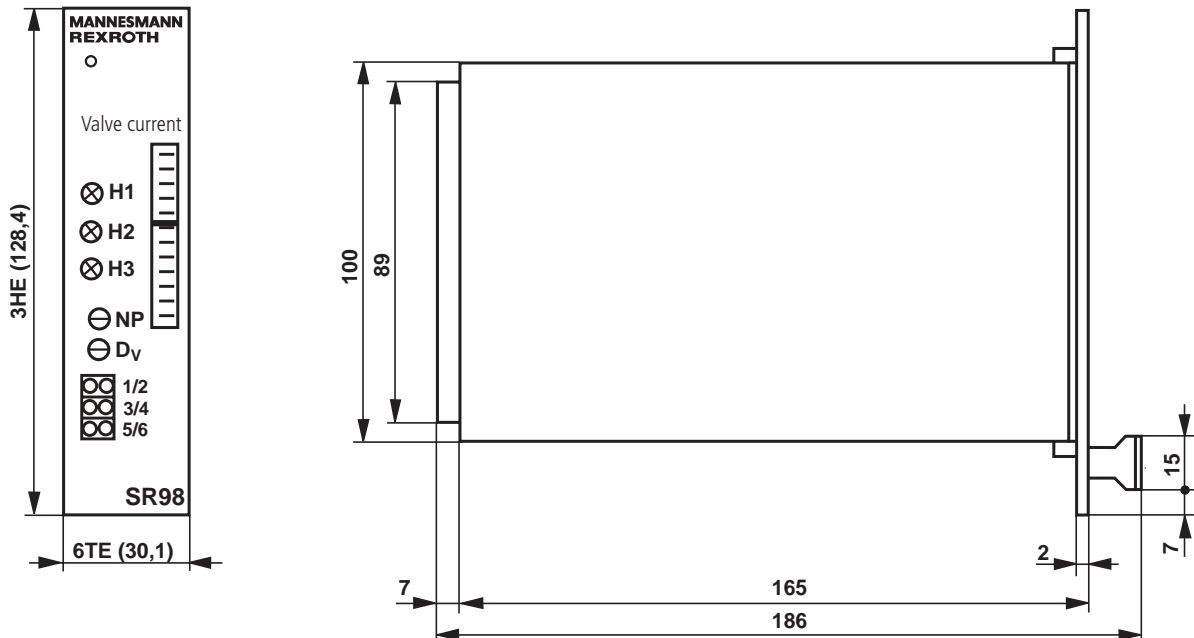
Technical data (continuation) (for applications outside these parameters, please consult us!)

Connection type		32-pin blade connector, DIN 41 612, form D
Card dimensions		Euro-card 100 x 160 mm, DIN 41 494
Front plate dimensions	<ul style="list-style-type: none"> • Height • Width, conductor side • Width, component side 	3 HE (128.4 mm) 1 TE (5.08 mm) 5 TE
Permissible ambient temperature	<i>t</i>	0° to + 50°C
Storage temperature	<i>t</i>	- 25° to +75°
Weight	<i>m</i>	0.3 kg

Block circuit diagram / connection allocation



Unit dimensions (dimensions in mm)



Bosch Rexroth AG Industrial Hydraulics

D-97813 Lohr am Main
 Zum Eisengießer 1 • D-97816 Lohr am Main
 Telefon 0 93 52 / 18-0
 Telefax 0 93 52 / 18-23 58 • Telex 6 89 418-0
 eMail documentation@boschrexroth.de
 Internet www.boschrexroth.de

Bosch Rexroth Limited

Cromwell Road, St Neots,
 Cambs, PE19 2ES
 Tel: 0 14 80/22 32 56
 Fax: 0 14 80/21 90 52
 E-mail: info@boschrexroth.co.uk

The data specified above only serves to describe the product. No statements concerning a certain condition or suitability for a certain application can be derived from our information. The details stated do not release you from the responsibility for carrying out your own assessment and verification. It must be remembered that our products are subject to a natural process of wear and ageing.